



**DETROIT CONTROLS, INC.**  
 4925 Delemere Blvd  
 Royal Oak, MI 48073

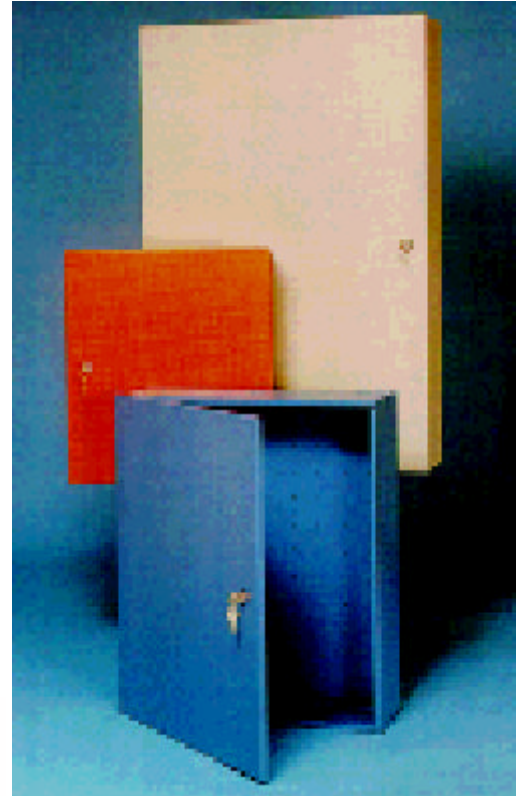
# DCP SERIES CONTROL PANELS

## Product Description

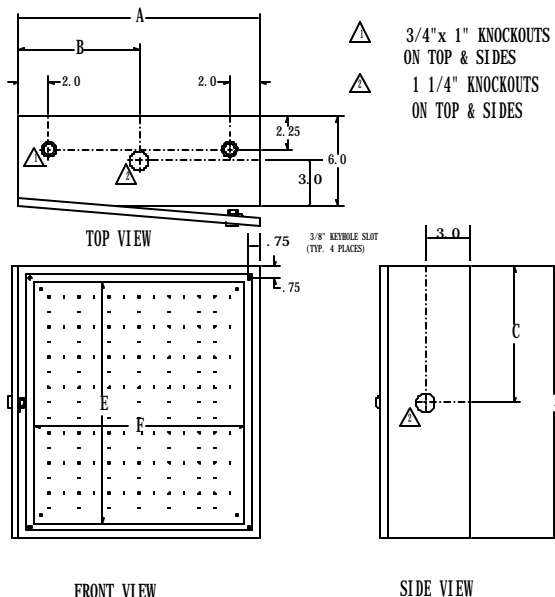
The DCP control panel is designed to provide a convenient method of surface mounting and protecting either pneumatic or electrical control devices.

The ease of wall mounting, plus a removable sub-panel on which the control devices are mounted, permits installation of the cabinet during construction and mounting of the finished subpanel at the required time.

The cabinet may be either a left or right hand door opening without additional hardware. Two or more cabinets may be mounted side by side or over and under to handle specific requirements. This eliminates the need for large, heavy-to-handle single panels. To join individual cabinets, remove the knockouts and fasten with the appropriate fittings and lock nuts. This provides a neat and flexible installation. Each side of the cabinet has convenient knockouts for rigid, soft, or flexible tubing or electrical equipment connections.



**UNDERWRITERS LABORATORIES LISTED**



- DCP-16-X** 16" wide x 18" high x 6" deep (UL Listed)
- DCP-20-X** 20" wide x 24" high x 6" deep (UL Listed)
- DCP-24-X** 24" wide x 36" high x 6" deep
- DCP-24-UL-X** 24" wide x 36" high x 6" deep (UL Listed)

**X=Color:** T=Tan, O=Orange, B=Blue

### Construction

- Cabinet:** Nema 1; 16ga. steel (**DCP-24-UL-X**; 14ga)
- Subpanel:** Steel Perforated 1/8", 2" on center
- Knockouts:** Provided on all four sides of cabinet
- Finish:** Fine texture powder paint; specify color
- Mounting:** Keyhole Surface Mounting
- Approx Shipping Weights:**

<b>DCP-16-X</b>	23 lbs.
<b>DCP-20-X</b>	36 lbs.
<b>DCP-24-X</b>	59 lbs.
<b>DCP-24-UL-X</b>	75 lbs.

PANEL	A	B	C	D	E	F
DCP-16	16	8	9	18	16	14
DCP-20	20	10	12	24	22	18
DCP-24	24	12	18	36	34	22

Distributed By: **DETROIT CONTROLS, INC.**  
 4925 Delemere Blvd.  
 Royal Oak, MI 48073  
<http://www.detcont.com>  
[dciinfo@detcont.com](mailto:dciinfo@detcont.com)