



DETROIT CONTROLS, INC.
 1743 E. Highwood
 Pontiac, MI 48340

DCP SERIES CONTROL PANELS

Product Description

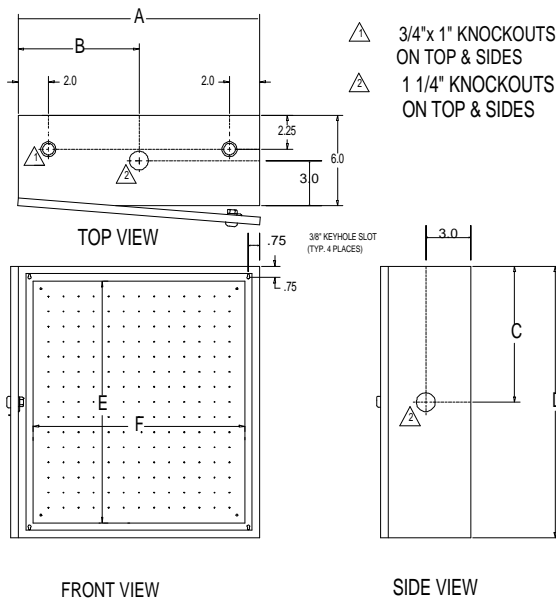
The DCP control panel is designed to provide a convenient method of surface mounting and protecting either pneumatic or electrical control devices.

The ease of wall mounting, plus a removable sub-panel on which the control devices are mounted, permits installation of the cabinet during construction and mounting of the finished subpanel at the required time.

The cabinet may be either a left or right hand door opening without additional hardware. Two or more cabinets may be mounted side by side or over and under to handle specific requirements. This eliminates the need for large, heavy-to-handle single panels. To join individual cabinets, remove the knockouts and fasten with the appropriate fittings and lock nuts. This provides a neat and flexible installation. Each side of the cabinet has convenient knockouts for rigid, soft, or flexible tubing or electrical equipment connections.



UNDERWRITERS LABORATORIES LISTED



- DCP-16-X** 16" wide x 18" high x 6" deep (UL Listed)
- DCP-20-X** 20" wide x 24" high x 6" deep (UL Listed)
- DCP-24-X** 24" wide x 36" high x 6" deep
- DCP-24-UL-X** 24" wide x 36" high x 6" deep (UL Listed)

X=Color: T=Tan, O=Orange, B=Blue

Construction

- Cabinet:** Nema 1; 16ga. steel (DCP-24-UL-X; 14ga)
- Subpanel:** Steel Perforated 1/8", 2" on center
- Knockouts:** Provided on all four sides of cabinet
- Finish:** Fine texture powder paint; specify color
- Mounting:** Keyhole Surface Mounting
- Approx Shipping Weights:**
 - DCP-16-X** 23 lbs.
 - DCP-20-X** 36 lbs.
 - DCP-24-X** 59 lbs.
 - DCP-24-UL-X** 75 lbs.

PANEL	A	B	C	D	E	F
DCP-16	16	8	9	18	16	14
DPC-20	20	10	12	24	22	18
DPC-24	24	12	18	36	34	22

Distributed By: **DETROIT CONTROLS, INC.**
 1743 E. Highwood
 Pontiac, MI 48340
<http://www.detcont.com>
dciinfo@detcont.com



DETROIT CONTROLS, INC.
 1743 E. Highwood
 Pontiac, MI 48340

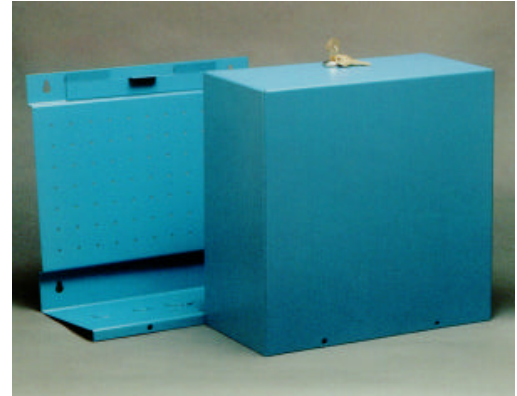
DCP SERIES CONTROL PANELS

Product Description

The DCP-12 control panel is designed to provide a convenient method of surface mounting and protecting either pneumatic or electrical control devices.

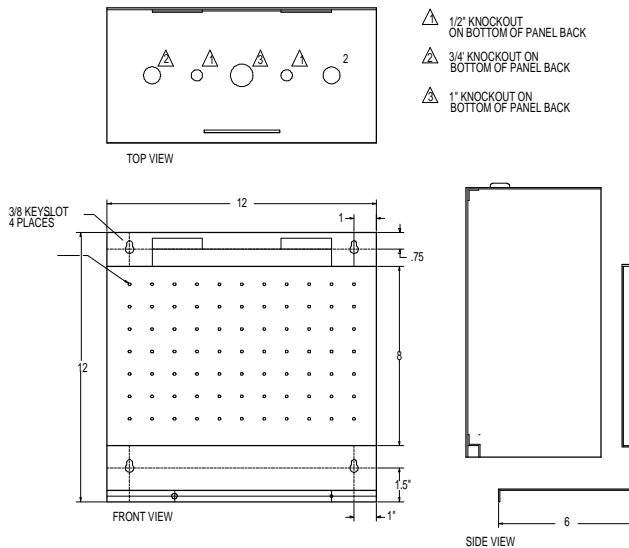
A non-removable perforated backplate allows heat to be dissipated from the enclosure, and for installation of various devices.

The uniquely designed keylock enclosure cover and sides, lifts off for total access and ease of wiring and/or piping. Knockouts for rigid, soft or flexible tubing or electrical equipment connections are provided on the bottom of the panel.



UNDERWRITERS LABORATORIES LISTED

Model No.	Color	Paint	Lock
DCP-12-T	Tan	DCP-P-T	DCP-L
DCP-12-B	Blue	DCP-P-B	DCP-L
DCP-12-O	Orange	DCP-P-O	DCP-L



Distributed By:

DETROIT CONTROLS, INC.
 1743 E. Highwood
 Pontiac, MI 48340
 800-628-2424
<http://www.detcont.com>
dcinfo@detcont.com

Mounting:

Keyhole surface mounting. See data for dimensions and specific location.

Construction:

Cover & Back 16 gauge steel; Panel back perforated with 1/8" holes, 1" centers.

Knockouts:

Five knockouts are provided on the bottom of panel; (One - 1") (Two - 3/4") (Two - 1/2"). See data for dimensions and specific location.

Cover, Sides & Lock:

Lift up and off. Tamper resistant, 302 Key-operated latch and lock with 2 keys included.

Touch-Up Paint:

Spray-on enamel; 9 oz. Aerosol Can, please specify color when ordering, see above.

Approximate Shipping Weight: 11 lb. per panel